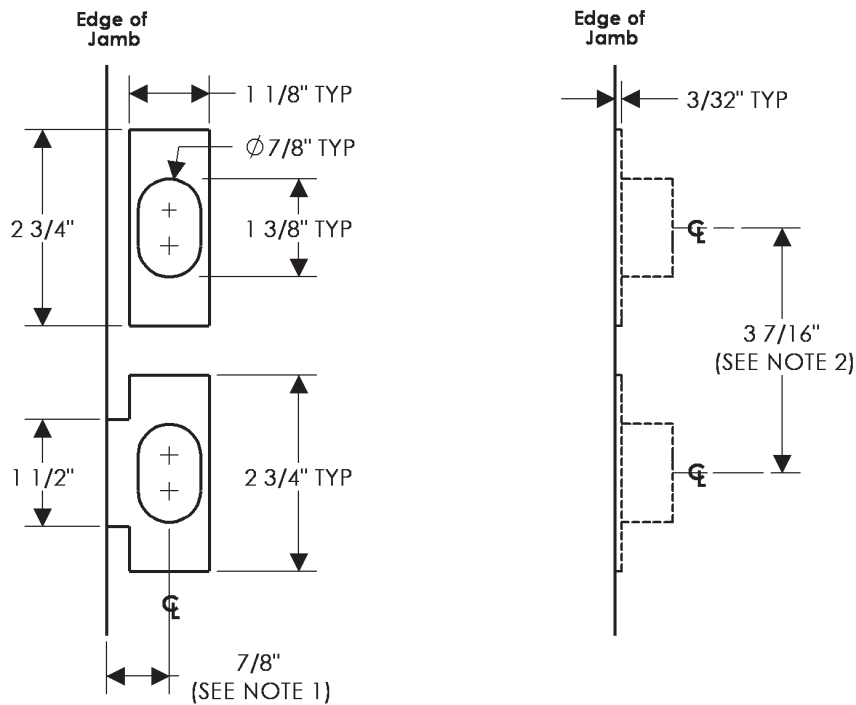


Strike, Privacy Spring Latch/Mortise Bolt



Notes:

1. This dimension is 1/2 of the door thickness, e.g., 1 3/4" divided by 2 = 7/8". This dimension will have to be adjusted for different door thicknesses and unusual jamb or door conditions.
2. This center-to-center dimension may be changed with escutcheon selection.
3. 1 3/4" minimum door thickness.