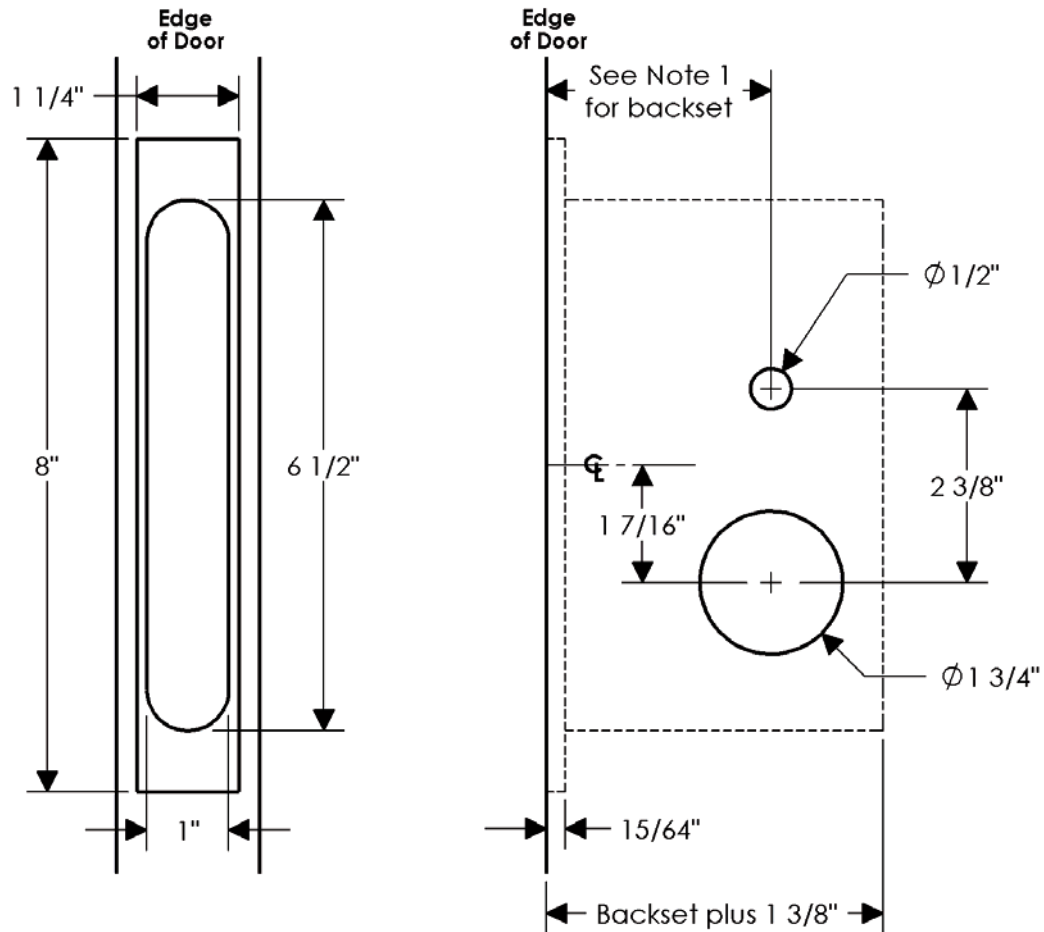
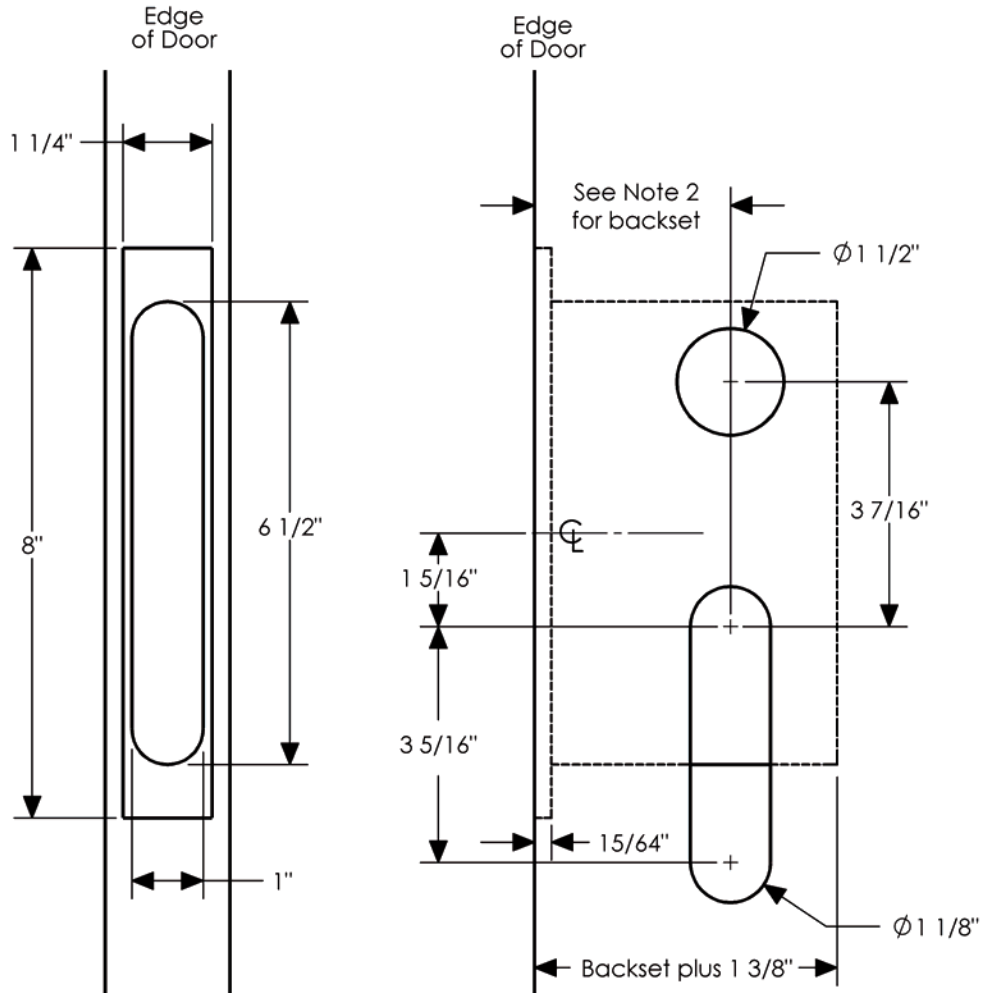


Entry Grip to Lever Mortise Lock—Interior

**Notes:**

1. This bore specification is applicable for 2 1/2" or 2 3/4" backset mortise locks.
2. Standard location of mortise lock is determined by placing the lever or knob 36" above finish floor. However, this may be adjusted for special applications.
3. 1 3/4" minimum door thickness.

Entry Grip to Lever Mortise Lock—Exterior



Notes:

1. Standard location of mortise lock is determined by placing the lever or knob 36" above finish floor. However, this may be adjusted for special applications.
2. This bore specification is applicable for 2 1/2" or 2 3/4" backset mortise locks.
3. 1 3/4" minimum door thickness.