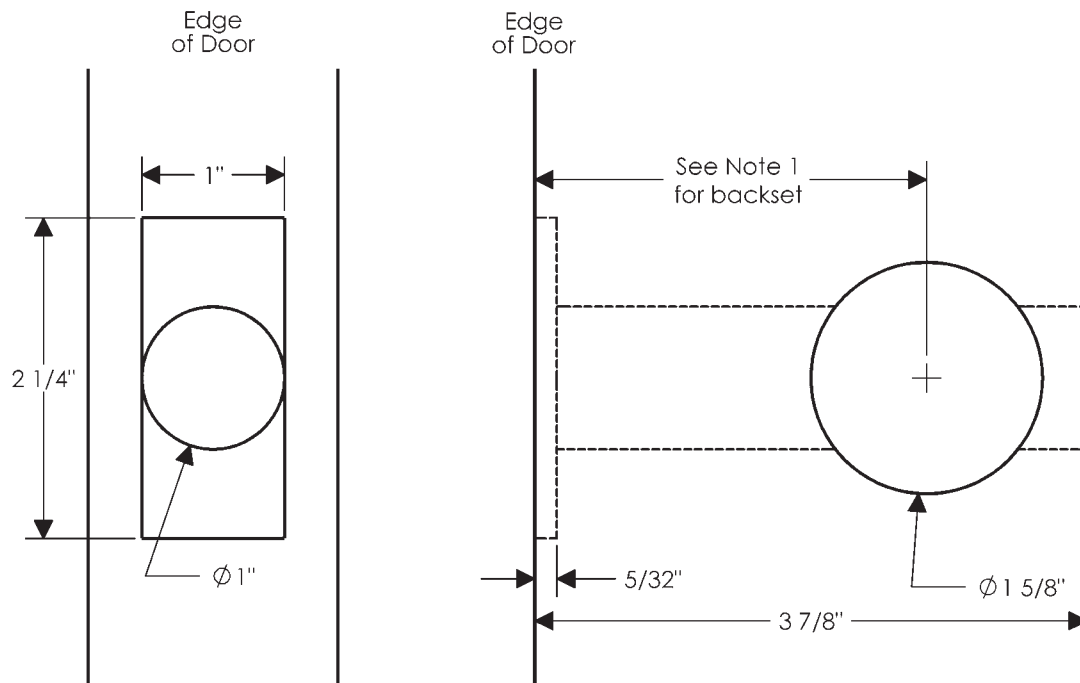


## Entry Dead Bolt—Interior/Exterior

**Notes:**

1. This bore specification is applicable for  $2 \frac{3}{8}''$  or  $2 \frac{3}{4}''$  backset dead bolts.
2.  $1 \frac{3}{4}''$  minimum door thickness.