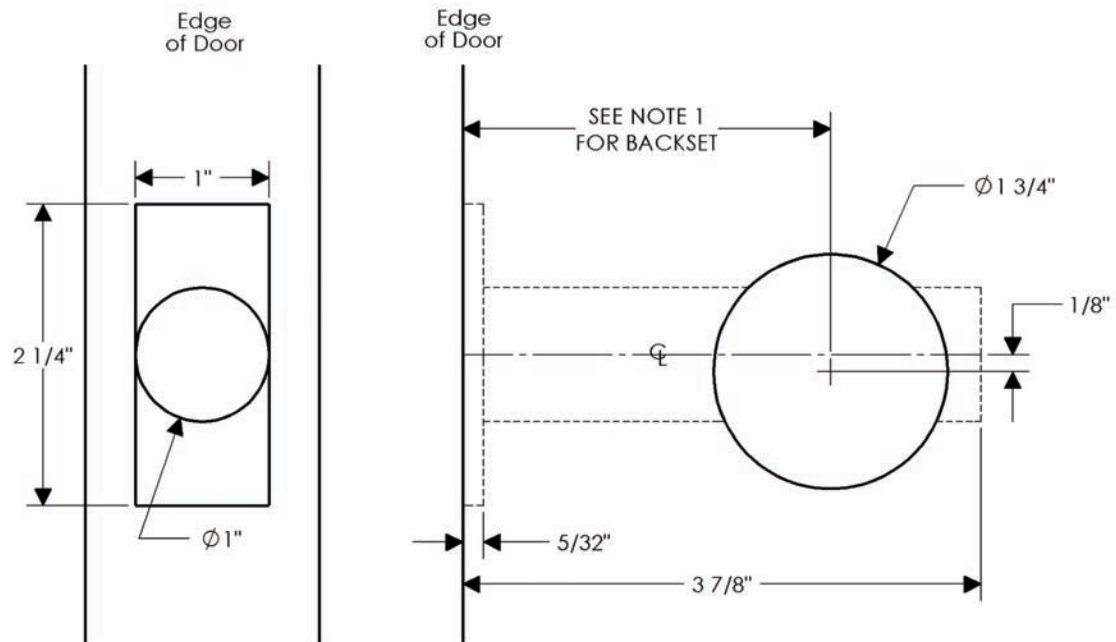


Privacy Spring Latch—Interior/Exterior



Notes:

1. This bore specification is applicable for 2 3/8" or 2 3/4" backset privacy spring latches.
2. 1 3/4" minimum door thickness.